

QWL Серия

Двунаправленная самоуплотняющаяся ножевая задвижка



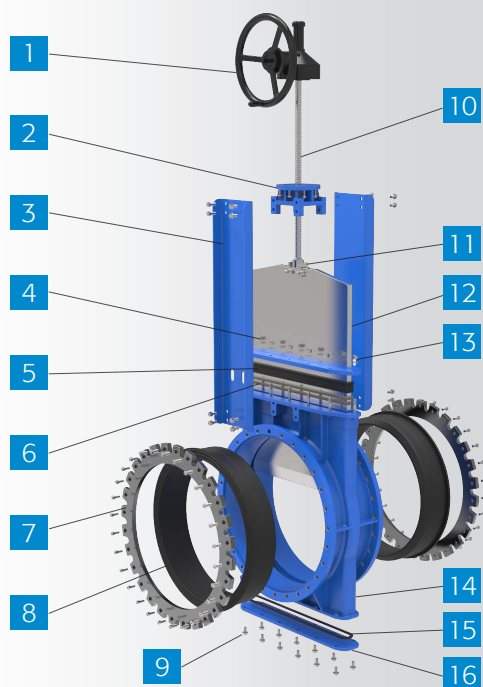
Features:

- # Bi-directional seal
- # Sleeve protect valve body
- # Self sealing design Suitable for a variety of different conditions
- # 2PC Strong yoke design
- # Cleaning hloe design ,easy for cleaning body Residual medium
- # Mixed with a variety of materials packing

Model: QWLZ73X
Working Pressure: DN50-DN100 20bar
 DN125-DN200 16bar
 DN250-DN1000 10bar
 DN1000-DN1400 6bar
Type: Wafer,Lug,Flange
Design Standard: MSS SP-81
Flange Standard: DIN PN10,PN16,150LB ,JIS 10K,TABLE E/D
Face to Face: MSS SP-81
Testing Standard: API-598
Operation: handwheel, electric, pneumatic, hydraulic, sprocket, electro-hydraulic, gear
Main material: WCB
Wedge material: F55,F53,2205,SS310,SS316L,SS316,SS304
Sealing material: NBR,FKM
Packing: high-water-based rubber packing graphite wheel
Applicable medium: Applicable to slurry, urban sewage treatment, powder, paper, chemicals, and other fields

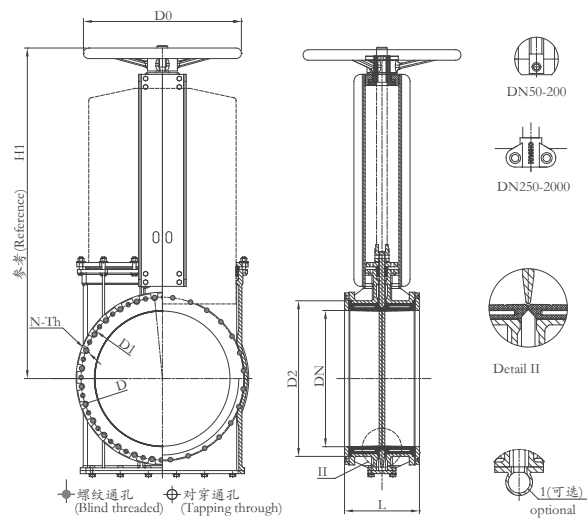
Product Description:

QWL Series Self-sealing knife gate valve is to use two rubber seats on the clip pressed the knife a sealing effect. When the knife is fully open, the two seat seals combined together tightly, the pipeline pressure will make sealing better, while the valve is closed, the gate can be arbitrarily removed convenient maintenance, Sleeve on both sides of seat,Full protection of the valve body,Extend valve life



Code	Name	Material	QTY
1	Gear Box	GGG40	1
2	Yoke Head	Q235/GGG40	1
3	Yoke	Q235	2
4	Bolt&Nut	Fe+Zn(Painting)/SS304	N
5	Packing	NBR	1
6	Packing	Aramid PTFE	3-5
7	Seat Cover	NBR+steel	2
8	Seat	NR+steel	2
9	Bolt&Nut	Fe+Zn(Painting)/SS304	N
10	Stem	2Cr13/SS304/SS316	1
11	Chuck	WCB/GGG40	1
12	Disc	SS304/SS316/F55/F53	1
13	Packing Gland	GGG40/WCB	1
14	Body	WCB	1
15	Sealing	NBR	1
16	Bottom Cover	WCB	1

Dimension



unit:mm

DIN2632 PN10									ANSI 150LB								
DN	L	D	D1	D2	D0	N-Th	d	H1	DN	L	D	D1	D2	D0	N-Th	d	H1
50	172	165	125	99	180	4-M16	Ø18	260	2"	172	152	121	92	180	4-5/8"	Ø19	260
65	172	185	145	118	200	4-M16	Ø18	292	2-1/2"	172	178	140	105	200	4-5/8"	Ø19	292
80	172	200	160	132	200	8-M16	Ø18	320	3"	172	191	153	127	200	4-5/8"	Ø19	320
100	172	220	180	156	240	8-M16	Ø18	358	4"	172	229	191	157	240	8-5/8"	Ø19	358
125	174	250	210	184	260	8-M16	Ø18	395	5"	174	254	216	186	260	8-3/4"	Ø22	395
150	174	285	240	211	280	8-M20	Ø23	450	6"	174	279	242	216	280	8-3/4"	Ø22	450
200	180	340	295	266	300	8-M20	Ø23	532	8"	180	343	299	270	300	8-3/4"	Ø22	532
250	220	395	350	319	320	12-M20	Ø23	670	10"	220	406	362	324	320	12-7/8"	Ø25	670
300	255	445	400	370	350	12-M20	Ø23	758	12"	255	483	432	381	350	12-7/8"	Ø25	758
350	255	505	460	429	400	16-M20	Ø23	857	14"	255	533	476	413	400	12-1"	Ø29	857
400	281	565	515	480	450	16-M24	Ø27	946	16"	281	597	540	470	450	16-1"	Ø29	946
450	305	615	565	530	500	20-M24	Ø27	1023	18"	305	635	578	533	500	16-1 1/8"	Ø32	1023
500	350	670	620	582	500	20-M24	Ø27	Gear	20"	350	699	635	584	500	20-1 1/8"	Ø32	Gear
600	369	780	725	682	-	20-M27	Ø30	Gear	24"	369	813	750	691	-	20-1 1/4"	Ø35	Gear
700	372	895	840	794	-	24-M27	Ø30	Gear	28"	372	927	864	800	-	28-1 1/4"	Ø35	Gear
800	405	1015	950	901	-	24-M30	Ø33	Gear	32"	405	1060	978	914	-	28-1 1/2"	Ø41	Gear
900	480	1115	1050	1001	-	28-M30	Ø33	Gear	36"	480	1170	1086	1022	-	32-1 1/2"	Ø41	Gear
1000	535	1230	1160	1112	-	28-M33	Ø36	Gear	40"	535	1290	1200	1124	-	36-1 1/2"	Ø41	Gear